

In today's competitive market, making superior extruded cast film products at maximum productivity levels and the lowest possible cost is paramount in growing your business, increasing profits and meeting your overall business objectives.

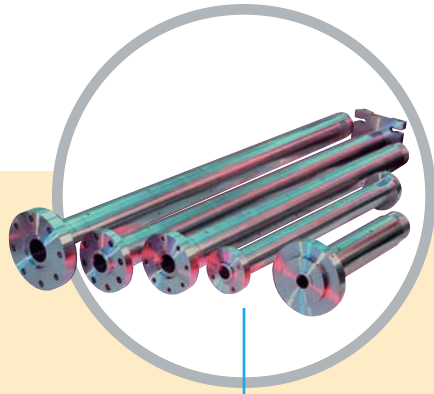
Nordson XALOY has over 84 years of experience engineering innovative solutions that specifically enhance the extrusion process. Nordson XALOY manufactures the most technologically advanced barrels, screws, screen changers, gear pumps, static mixers and rolls that are designed specifically to optimize cast film production. Process optimization starts with understanding the critical extrusion operating variables that contribute to your success. A single production component is only one element within a group of production components that collectively operate as a system.

Whether it is designing single components or integrating elaborate systems, Nordson XALOY has the ability to provide integrated engineered solutions that take your process to its maximum level of performance.

**The production of
quality cast film products
is your business.**

**Helping optimize your
extrusion process is
Nordson XALOY's business.**





Barrels

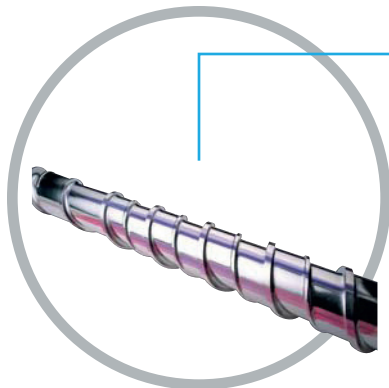
- Composition: Tungsten carbide particles uniformly dispersed in a corrosion-resistant nickel alloy matrix
- Outstanding resistance to both abrasive wear and corrosion
- Essential for extrusion of hard-to-melt materials such as HMW-HDPE or LLDPE and of highly filled abrasive materials such as those containing 25% or more of mineral fillers (calcium carbonate etc.) or glass fibers
- Resists corrosive attack by aggressive volatiles released by polymers or additives

Meet the needs for wear and corrosion resistance for more than 90% of all extrusion requirements.

Screws

- OEM replacements
- Featuring high performance screw designs
- Optimized processes for all resin applications
- Vented applications and L/D conversions
- Various hardsurfacing materials and coatings available to protect against wear and corrosion

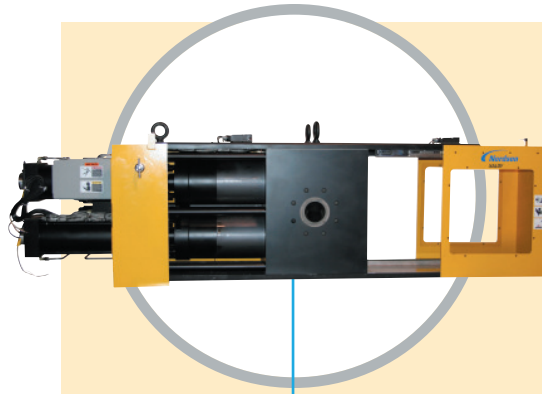
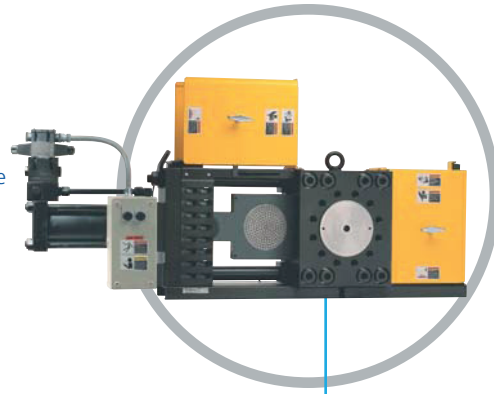
Maximize extrusion throughput, product quality and component life.



Hydraulic Screen Changers

- On-the-fly screen changes in less than a second
- Pressure activated seal technology – guaranteed leak free
- Flexible extruder mounting options for easy installation
- Safety first designs ensure simple, safe operation
- Rheologically optimized breaker plate design
- Positive screen retention for single or co-extruders
- Screw pull-through design on all sizes

The best filtration solution for processes that do not require continuous operation.



Continuous Screen Changers

- Increased filtration area
- Lower inlet pressures
- Longer operating time between screen changes
- Maintenance-free seal-less design
- Precise, repeatable screen changes with automated control
- Increased line productivity

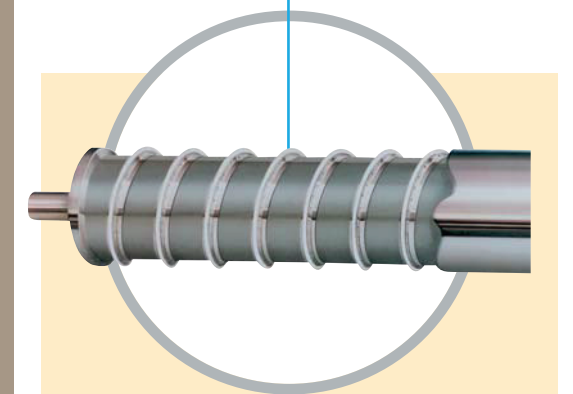
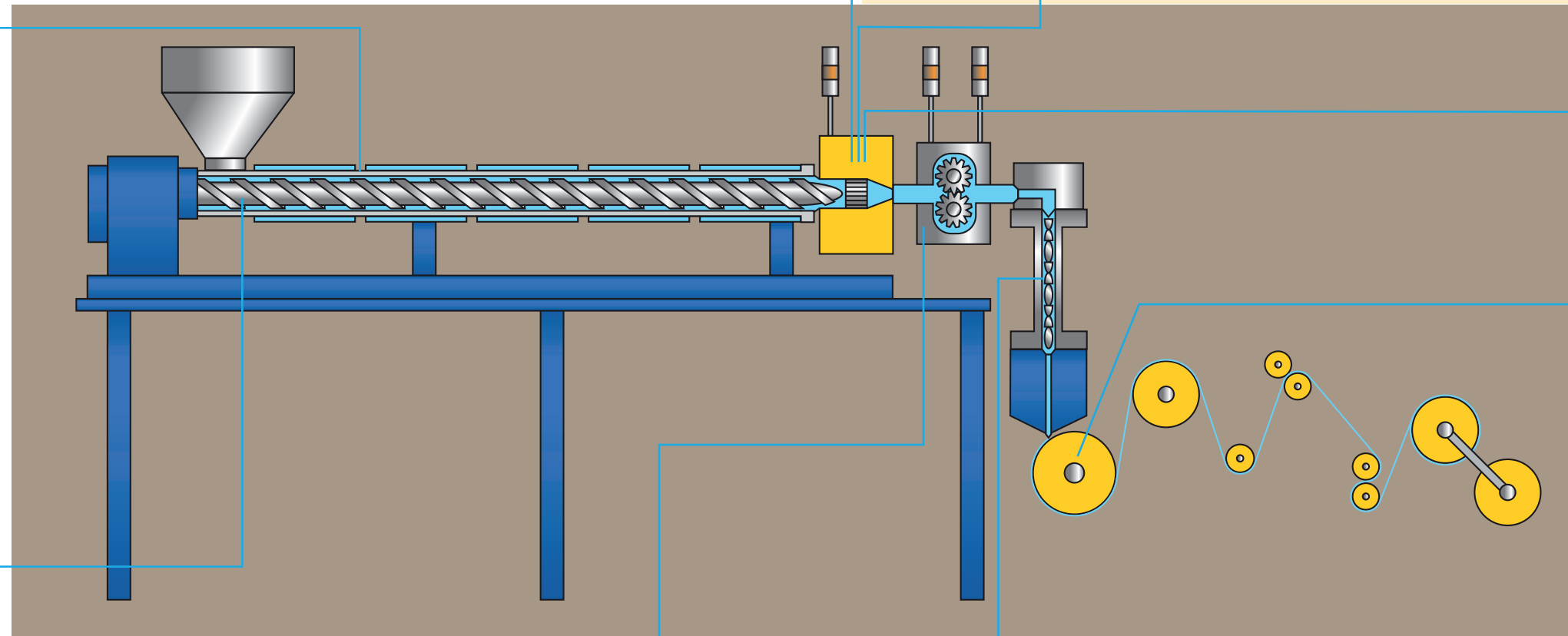
The best filtration solution for maintaining productivity during screen changes.



Manual Screen Changers

- Leak free - pressure activated seal technology
- Extruder screw pull through
- Bolt-tough extruder connection
- Space efficient compact design
- Ergonomic three position handle

The low cost solution for processes requiring infrequent changes.



Equatherm Rolls

- Maximum heat transfer rate to increase productivity and reduce energy consumption
- Improved product quality, uniform temperature across roll face $\pm 0,5^{\circ}\text{C}$ ($\pm 1^{\circ}\text{F}$) combats across-the-web variations in gauge, appearance etc.

For ultimate performance in heat transfer rolls.

Gear Pumps

- Precise metering of polymer to the die
- Increased yields - better product from less polymer
- Immediate material savings
- Faster line start-ups
- Ability to run up to 100% regrind with accurate volumetric control
- Lower processing temperatures
- Higher throughputs
- Optimized screw and pump designs for specific polymers

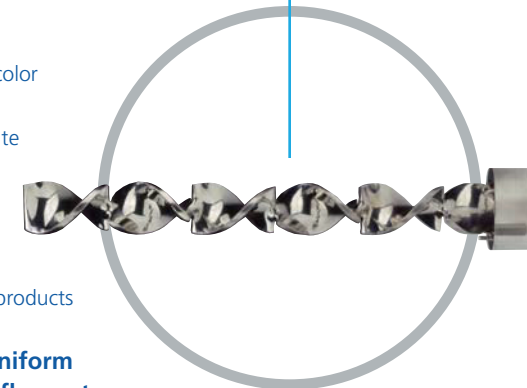
Getting "on-spec" product has never been faster!



Static Mixers

- Provides thermal homogeneity and color mixing for improved product quality
- Motion-less mixing elements eliminate laminar flow and thermal gradients
- Improved dimensional control of the finished product
- Faster color changes
- Uniform cell distribution in foamed products

Low-shear mixing provides uniform temperatures and consistent flow rates through the die.



Solutions through Innovation



System for BOPP

Engineered Solutions:

Nordson XALOY systems are designed specifically to optimize your cast film extrusion process and configured to meet your operational needs.

Markets & End Products	Typical Polymers
Aerospace/Aircraft	ABS
Agriculture	BioPlastics
Automotive Products	BOPP, PP
Battery Industry	EAA
Carpet	EVA
Construction	EVOH
Consumer	HDPE
Flexible Packaging	LDPE, LLDPE
Food Packaging	Metallocenes
Graphics	Nylons
Industrial	PC
Marine	PE
Medical	PET
Recreational Vehicles	PMMA
Release Liners/Tape	PVB
Retail	PVC, TPO, TPU

Customer Support Services:

Parts & Repairs:

Whether it's routine preventive maintenance or unexpected failures, Nordson XALOY is prepared to support your needs with:

- Original after-market parts
- Evaluation, rebuild and repair services
- Expedited services when you need immediate repairs

Technical Services:

Improve productivity and minimize down-time by leveraging Nordson XALOY's technical service expertise.

- Product, process technology and application support
- On-site diagnostic and repair support
- Inspections and preventive maintenance support
- New equipment commissioning & training support
- 24/7 Emergency Support
- Two full time laboratories

