

Engineered Solutions:

Nordson XALLOY systems are designed specifically to optimize your injection molding production and configured to meet your operational needs.

Markets & End Products	Typical Polymers
Aerospace/Aircraft	PEEK, PEI, PES
Automotive Products	ABS, PC, PP
Bottle Lids	PP
Construction	UVPC
Cosmetic Packaging	GPPS, SAN
Domestic Appliances	ABS
Electrical Components	PPO, PEI
Electronic Housings	HIPS
Furniture Components	PP
Food Packaging	HDPE, PP
Garden Products	PP
Housewares	SAN, PP
Light Components	PMMA, PC
Industrial	PS
Medical	PEI, SAN, SPVC
Plumbing Components	PVC
Shoe Industry	PVC
Toys	PP, HIPS, ABS

Customer Support Services:

Parts & Repairs:

Whether it's routine preventive maintenance or unexpected failures, Nordson XALLOY is prepared to support your needs with:

- Original after-market parts
- Evaluation, rebuild and repair services
- Expedited services when you need immediate repairs

Technical Services:

Improve productivity and minimize down-time by leveraging Nordson XALLOY's technical service expertise.

- Product, process technology and application support
- On-site diagnostic and repair support
- Inspections and preventive maintenance support
- New equipment commissioning & training support
- 24/7 Emergency Support
- Two full time laboratories



In today's competitive market, making a superior injection molded product at maximum productivity levels and the lowest possible cost is paramount in growing your business, increasing profits and meeting your overall business objectives.

Nordson XALLOY has over 84 years of experience engineering innovative solutions that specifically enhance the injection process. Nordson XALLOY manufactures the most technologically advanced barrels, screws, and front end components that are designed specifically to optimize injection molding production.

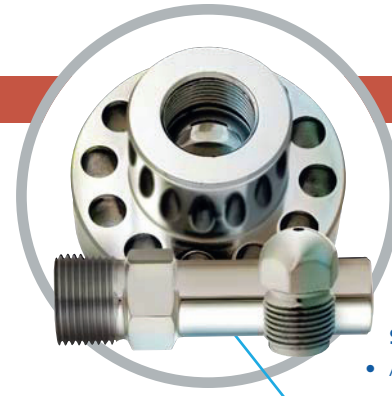
Whether it is designing single components or integrating elaborate systems, Nordson XALLOY has the ability to provide engineered solutions that take your process to its maximum level of performance.

The production of quality injection molded products is your business.

Helping optimize your injection process is Nordson XALLOY's business.

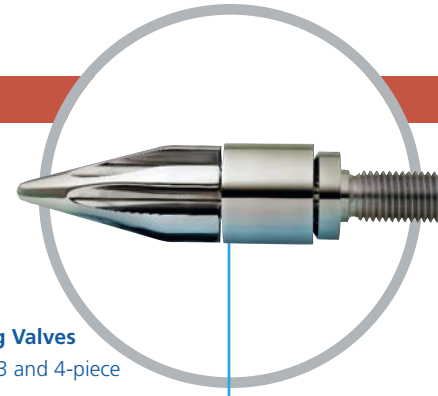
Front End Components

Nordson XALLOY offers a complete line of front end components for injection units in a variety of abrasion and corrosion resistant steels. Improved wear and corrosion resistance for peak performance.



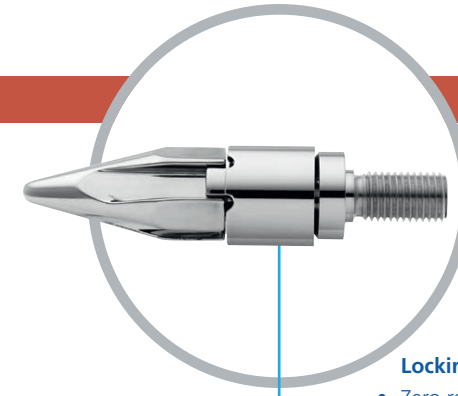
Sliding Ring Valves

- Available in 3 and 4-piece configurations
- Construction materials from H-13/D-2 to CPM steels



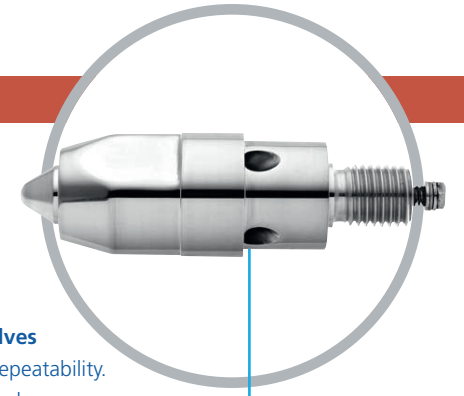
Locking Ring Valve

- Zero relative velocity ring/retainer
- Reduced wear with abrasive resins
- Variety of construction materials



Ball Check Valves

- Superior shot repeatability.
- Simple front discharge, no threaded-on components
- Self cleaning configuration



Auto-Shut Valves (Patent#5.164.207)

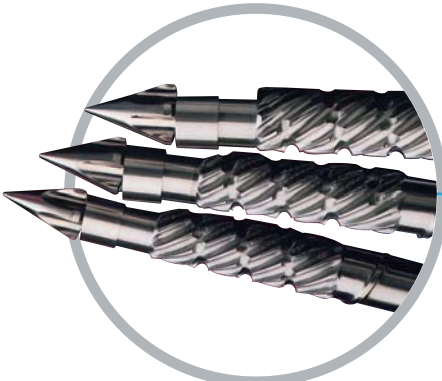
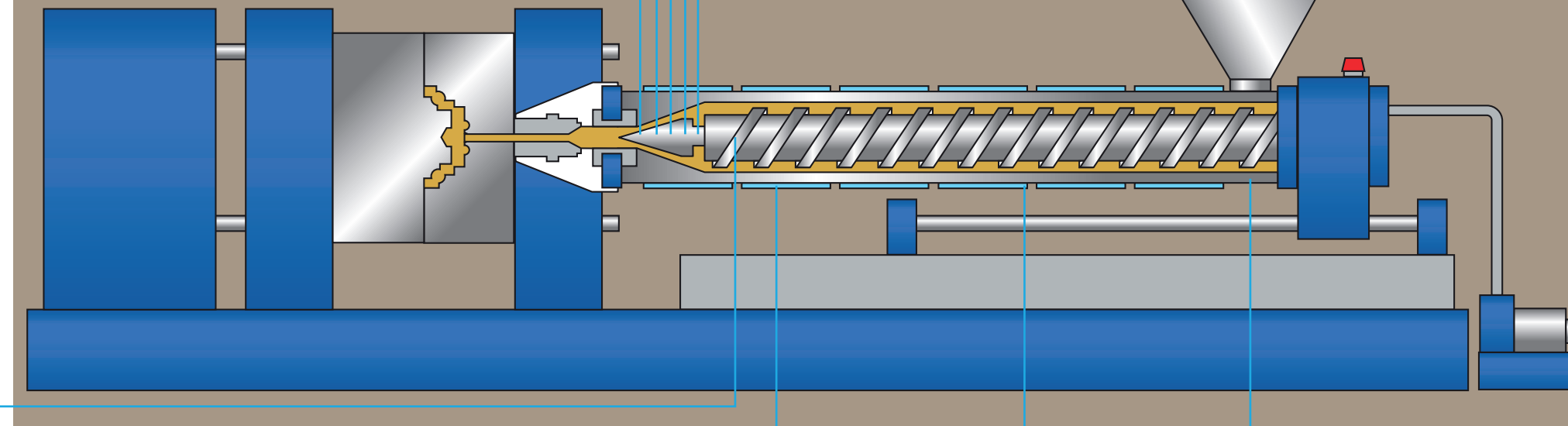
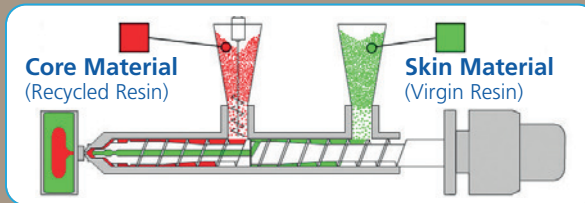
- Positive shut-off, self cleaning
- Most consistent shot-to-shot repeatability
- Shut-off independent from screw travel

Twinshot® Multi-Material Molding

Available only from Nordson XALLOY Twinshot® enables a conventional machine with a single barrel and screw to inject two materials in one operation, with one material totally enclosing the other.

- Single screw, single barrel, single recovery, single shot/cycle — two materials
- Two independent melting sections
- First part of the shot is skin, second part is core
- Volume is controlled by varying primary or auger feeder screw speeds
- Result is a three-layer or sandwich A-B-A

Reduce your resin costs by 35% or more and save on labor and maintenance costs.



Screws

- Featuring high performance patented designs
- Optimized performance for all resin applications
- OEM replacements
- Various steeltypes available
- Various hardfacing materials and coatings available to improve protection against abrasive wear and corrosive attack
- Upsize/downsize conversions

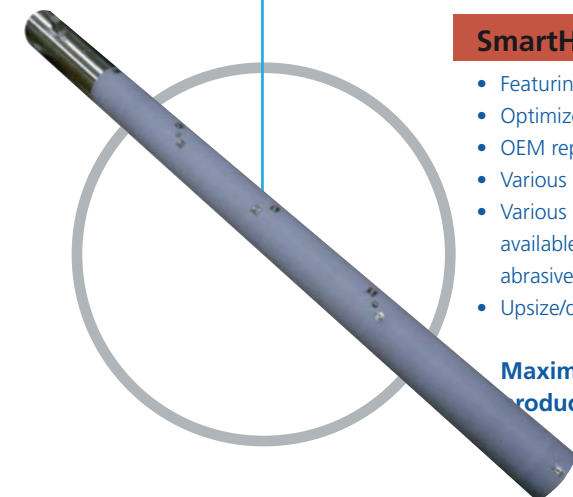
Maximize injection throughput, product quality and component life.



nXheat Induction Barrel Heating

- Featuring high performance patented designs
- Optimized performance for all resin applications
- OEM replacements
- Various steeltypes available
- Various hardfacing materials and coatings available to improve protection against abrasive wear and corrosive attack
- Upsize/downsize conversions

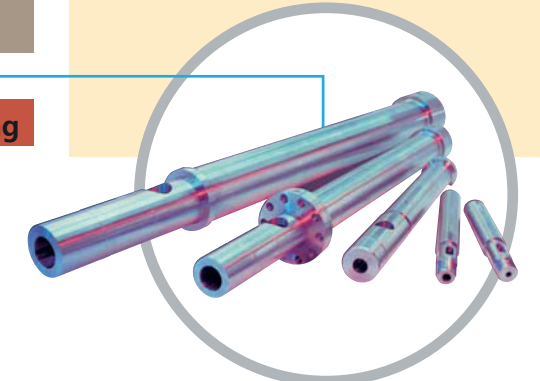
Maximize injection throughput, product quality and component life.



SmartHeat Integrated Barrel Heating

- Featuring high performance patented designs
- Optimized performance for all resin applications
- OEM replacements
- Various steeltypes available
- Various hardfacing materials and coatings available to improve protection against abrasive wear and corrosive attack
- Upsize/downsize conversions

Maximize injection throughput, product quality and component life.



Barrels

- Composition: Tungsten carbide particles uniformly dispersed in a corrosion-resistant nickel alloy matrix
- Outstanding resistance to both abrasive wear and corrosion
- Essential for injection of highly filled abrasive resins such as those containing mineral fillers (calcium carbonate etc.) or glass-fibers
- Resists corrosive attack by aggressive volatiles released by polymers or additives.

Meet the needs for wear and corrosion resistance for more than 90% of all injection requirements.