

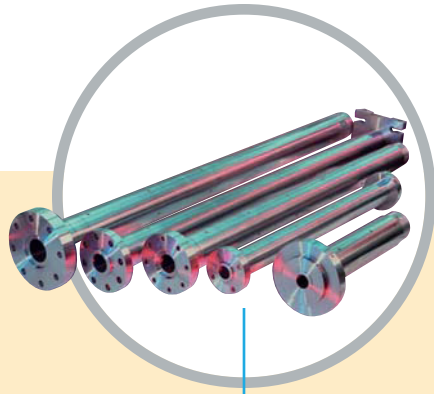
In today's competitive market, making superior extruded reclaim compounding materials at maximum productivity levels and the lowest possible cost is paramount in growing your business, increasing profits and meeting your overall business objectives.

Nordson XALOY has over 84 years of experience engineering innovative solutions that specifically enhance the extrusion process. Nordson XALOY manufactures the most technologically advanced barrels, screws, screen changers, gear pumps, and in-line pelletizers that are designed specifically to optimize reclaim compounding production. Process optimization starts with understanding the critical extrusion operating variables that contribute to your success. A single production component is only one element within a group of production components that collectively operate as a system.

Whether it is designing single components or integrating elaborate systems, Nordson XALOY has the ability to provide integrated engineered solutions that take your process to its maximum level of performance.

The production of quality reclaim compounding material is your business.

Helping optimize your extrusion process is Nordson XALOY's business.



Barrels

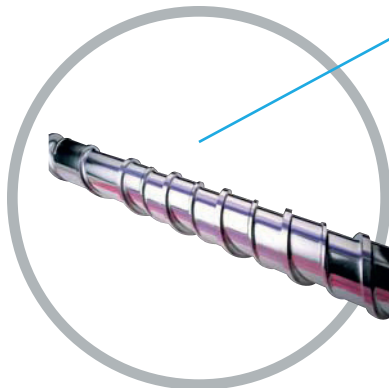
- Composition: Tungsten carbide particles uniformly dispersed in a corrosion-resistant nickel alloy matrix
- Outstanding resistance to both abrasive wear and corrosion
- Essential for extrusion of hard-to-melt materials such as HMW-HDPE or LLDPE and of highly filled abrasive materials such as those containing 25% or more of mineral fillers (calcium carbonate etc.) or glass fibers
- Resists corrosive attack by aggressive volatiles released by polymers or additives

Meet the needs for wear and corrosion resistance for more than 90% of all extrusion requirements.

Screws

- OEM replacements
- Featuring high performance screw designs
- Optimized processes for all resin applications
- Vented applications and L/D conversions
- Various hardsurfacing materials and coatings available to protect against wear and corrosion

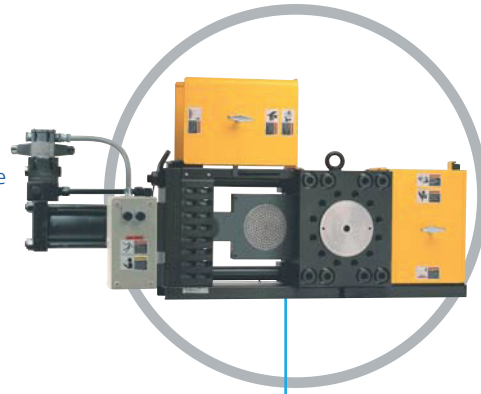
Maximize extrusion throughput, product quality and component life.



Hydraulic Screen Changers

- On-the-fly screen changes in less than a second
- Pressure activated seal technology – guaranteed leak free
- Flexible extruder mounting options for easy installation
- Safety first designs ensure simple, safe operation
- Rheologically optimized breaker plate design
- Positive screen retention for single or co-extruders
- Screw pull-through design on all sizes

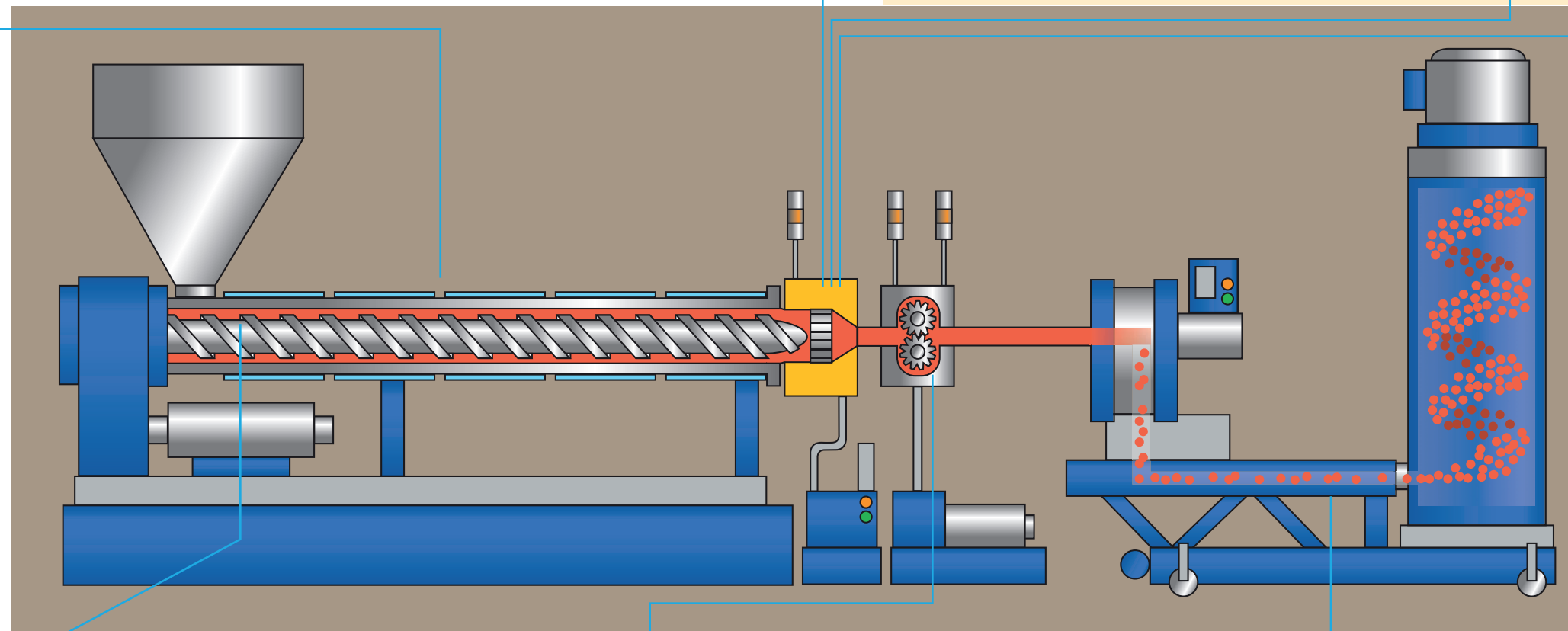
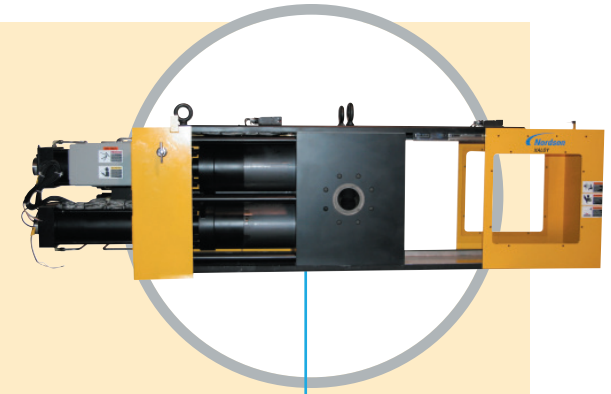
The best filtration solution for processes that do not require continuous operation.



Continuous Screen Changers

- Increased filtration area
- Lower inlet pressures
- Longer operating time between screen changes
- Maintenance-free seal-less design
- Precise, repeatable screen changes with automated control
- Increased line productivity

The best filtration solution for maintaining productivity during screen changes.



Manual Screen Changers

- Leak free - pressure activated seal technology
- Extruder screw pull through
- Bolt-tough extruder connection
- Space efficient compact design
- Ergonomic three position handle

The low cost solution for processes requiring infrequent changes.

Gear Pumps

- Precise metering of polymer to the die
- Increased yields - better product from less polymer
- Immediate material savings
- Faster line start-ups
- Ability to run up to 100% regrind with accurate volumetric control
- Lower processing temperatures
- Higher throughputs
- Optimized screw and pump designs for specific polymers

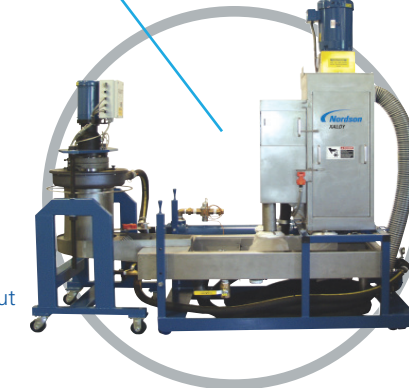
Getting "on-spec" product has never been faster!



In-Line Pelletizer

- Pellets are cut and immediately quenched in a unique cooling chamber design
- Provides uniform polymer flow to die plate
- Insensitive to melt flow variations
- Rapid blade and die plate removal
- Simple, user-friendly operation
- Reduced scrap and power consumption
- Filters can be easily changed or cleaned without tools or line shutdown

A modern, cost-effective method of pelletizing a wide range of unfilled and filled thermoplastic polymers.



Solutions through Innovation



Engineered Solutions:

Nordson XALOY systems are designed specifically to optimize your reclaim compounding extrusion process and configured to meet your operational needs.

Markets & End Products	Typical Polymers
Automotive Products	ABS
Blow Film	BioPlastics
Blow Molding	EVA
Cast Film	EVOH
Compounding	HDPE
Construction	HIPS
Consumer	HMWHDPE
Engineered Resins	LDPE
Industrial	LLDPE
Lawn & Garden Products	PC
Masterbatch	PE
Medical	PET
Profiles	PMMA
Recycling	PP
Renewable Products	PS
Retail	PVB
Sheet	PVC
Thermoforming	SAN
Tubing	TPO
Wire & Cable	TPU

Customer Support Services:

Parts & Repairs:

Whether it's routine preventive maintenance or unexpected failures, Nordson XALOY is prepared to support your needs with:

- Original after-market parts
- Evaluation, rebuild and repair services
- Expedited services when you need immediate repairs

Technical Services:

Improve productivity and minimize down-time by leveraging Nordson XALOY's technical service expertise.

- Product, process technology and application support
- On-site diagnostic and repair support
- Inspections and preventive maintenance support
- New equipment commissioning & training support
- 24/7 Emergency Support
- Two full time laboratories

