

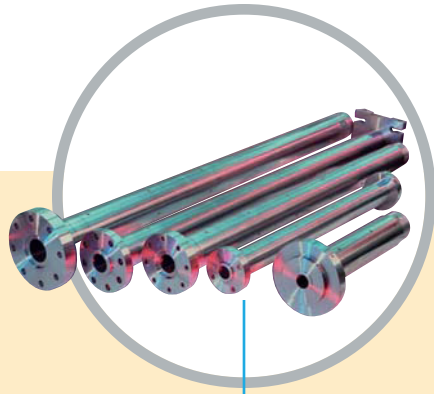
In today's competitive market, making a superior extruded sheet product at maximum productivity levels and the lowest possible cost is paramount in growing your business, increasing profits and meeting your overall business objectives.

Nordson XALOY has over 84 years of experience engineering innovative solutions that specifically enhance the extrusion process. Nordson XALOY manufactures the most technologically advanced barrels, screws, screen changers, gear pumps, static mixers and rolls that are designed specifically to optimize sheet production.

Whether it is designing single components or integrating elaborate systems, Nordson XALOY has the ability to provide engineered solutions that take your process to its maximum level of performance.

**The production of  
quality sheet products  
is your business.**

**Helping optimize your  
extrusion process is  
Nordson XALOY's business.**



### Barrels

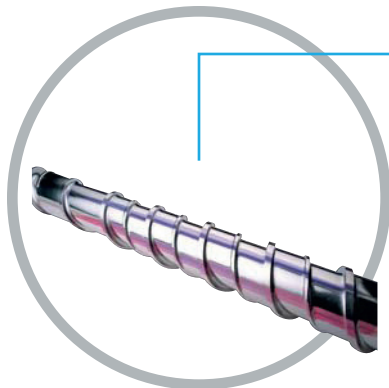
- Composition: Tungsten carbide particles uniformly dispersed in a corrosion-resistant nickel alloy matrix
- Outstanding resistance to both abrasive wear and corrosion
- Essential for extrusion of hard-to-melt materials such as HMW-HDPE or LLDPE and of highly filled abrasive materials such as those containing 25% or more of mineral fillers (calcium carbonate etc.) or glass fibers
- Resists corrosive attack by aggressive volatiles released by polymers or additives

**Meet the needs for wear and corrosion resistance for more than 90% of all extrusion requirements.**

### Screws

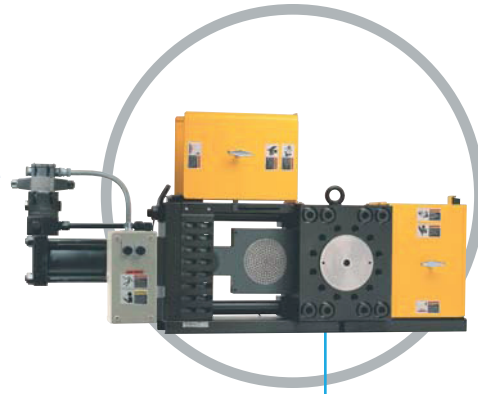
- OEM replacements
- Featuring high performance screw designs
- Optimized processes for all resin applications
- Vented applications and L/D conversions
- Various hardsurfacing materials and coatings available to protect against wear and corrosion

**Maximize extrusion throughput, product quality and component life.**



### Hydraulic Screen Changers

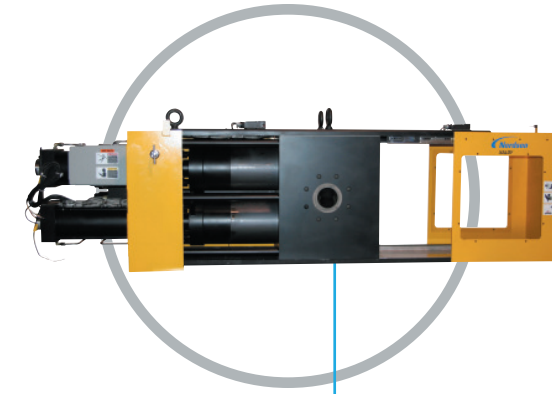
- On-the-fly screen changes in less than a second
- Pressure activated seal technology – guaranteed leak free
- Flexible extruder mounting options for easy installation
- Safety first designs ensure simple, safe operation
- Rheologically optimized breaker plate design
- Positive screen retention for single or co-extruders
- Screw pull-through design on all sizes



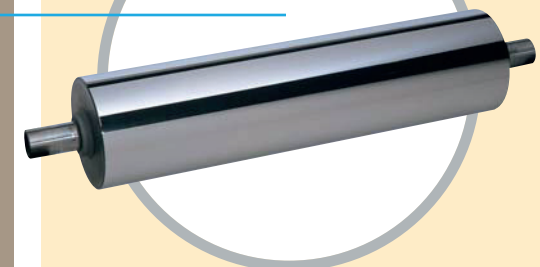
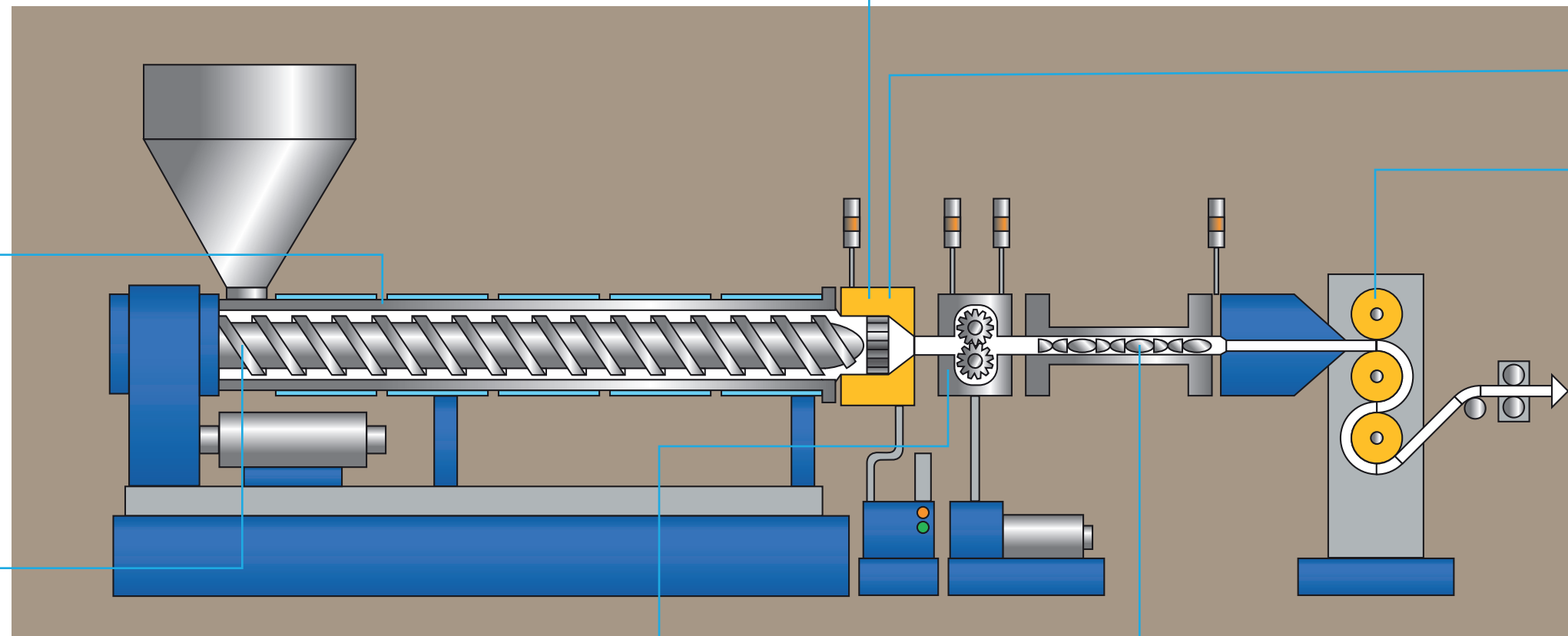
**The best filtration solution for processes that do not require continuous operation.**

### Continuous Screen Changers

- Increased filtration area
- Lower inlet pressures
- Longer operating time between screen changes
- Maintenance-free seal-less design
- Precise, repeatable screen changes with automated control
- Increased line productivity



**The best filtration solution for maintaining productivity during screen changes.**



### Heat Transfer Rolls

- Improved heat transfer to maximize line speeds
- Improved product uniformity +/- 5° Temperature Delta across the face
- Up to 800 PLI Nip Pressure with minimal deflection
- Full range of mirror and matte chrome finishes

**High, uniform heat transfer with minimal pressure drop.**

### Gear Pumps

- Precise metering of polymer to the die
- Increased yields - better product from less polymer
- Immediate material savings
- Faster line start-ups
- Ability to run up to 100% regrind with accurate volumetric control
- Lower processing temperatures
- Higher throughputs
- Optimized screw and pump designs for specific polymers

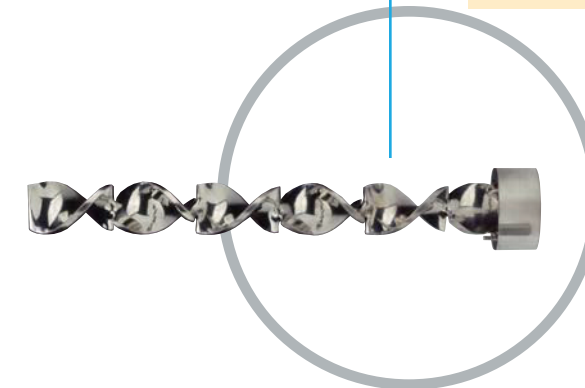
**Getting "on-spec" product has never been faster!**



### Static Mixers

- Provides thermal homogeneity and color mixing for improved product quality
- Motion-less mixing elements eliminate laminar flow and thermal gradients
- Improved dimensional control of the finished product
- Faster color changes
- Uniform cell distribution in foamed products

**Low-shear mixing provides uniform temperatures and consistent flow rates through the die.**



# Solutions through Innovation

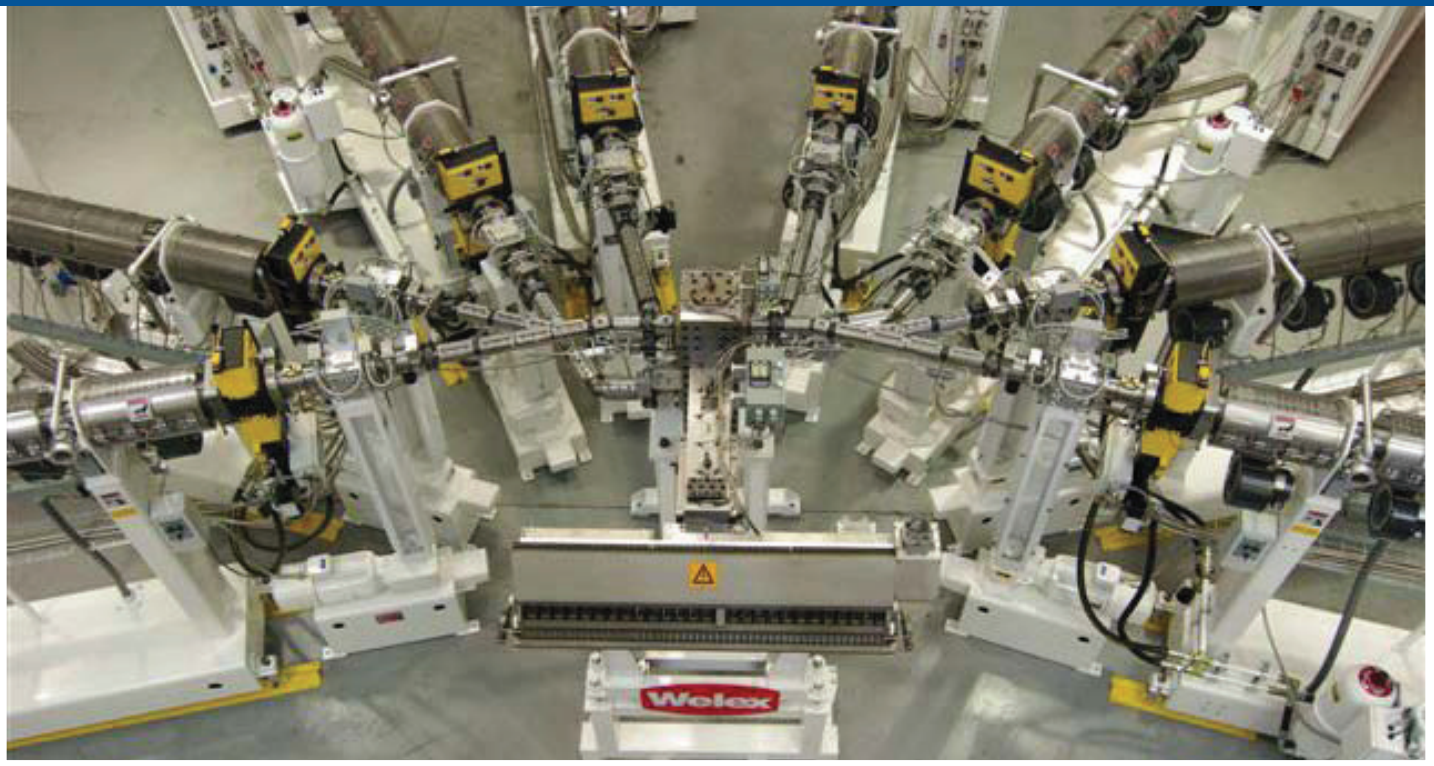


Photo courtesy of Welex

## Engineered Solutions:

**Nordson XALOY systems are designed specifically to optimize your sheet process and configured to meet your operational needs.**

Markets & End Products	Typical Polymers
Automotive products	ABS
Battery Industry	BioPlastics
Blisters	EVOH
Bowls	HDPE
Clamshells	HIPS
Construction	HMWHDPE
Consumer	LDPE
Cups	LLDPE
Flexible Packaging	PC
Graphics	PE
Industrial	PET
Insulated foam board	PMMA
Lawn & Garden products	PP
Lids	PS
Recreational Vehicles	PS Foam
Retail	PVB
Thermoformed sheet	PVC
Trays	TPO
XPS Foam board	TPU

## Customer Support Services:

### Parts & Repairs:

Whether it's routine preventive maintenance or unexpected failures, Nordson XALOY is prepared to support your needs with:

- Original after-market parts
- Evaluation, rebuild and repair services
- Expedited services when you need immediate repairs

### Technical Services:

Improve productivity and minimize down-time by leveraging Nordson XALOY's technical service expertise.

- Product, process technology and application support
- On-site diagnostic and repair support
- Inspections and preventive maintenance support
- New equipment commissioning & training support
- 24/7 Emergency Support
- Two full time laboratories

