

In today's competitive market, making a superior extruded tubing product at maximum productivity levels and the lowest possible cost is paramount in growing your business, increasing profits and meeting your overall business objectives.

Nordson XALOY has over 84 years of experience engineering innovative solutions that specifically enhance the extrusion process. Nordson XALOY manufactures the most technologically advanced barrels, screws, screen changers and gear pumps that are designed specifically to optimize tubing production.

Whether it is designing single components or integrating elaborate systems, Nordson XALOY has the ability to provide engineered solutions that take your process to its maximum level of performance.

**The production of  
quality tubing products  
is your business.**

**Helping optimize your  
extrusion process is  
Nordson XALOY's business.**

## Manual Screen Changers

- Leak free - pressure activated seal technology
- Extruder screw pull through
- Bolt-tough extruder connection
- Space efficient compact design
- Ergonomic three position handle

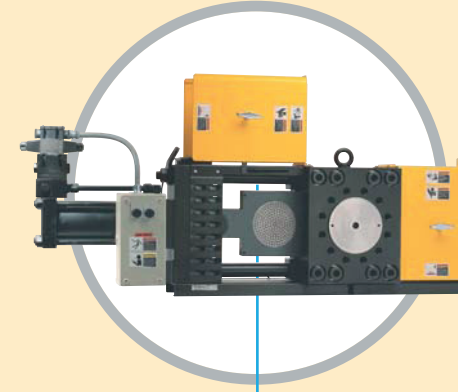
The low cost solution for processes requiring infrequent changes.



## Hydraulic Screen Changers

- On-the-fly screen changes in less than a second
- Pressure activated seal technology – guaranteed leak free
- Flexible extruder mounting options for easy installation
- Safety first designs ensure simple, safe operation
- Rheologically optimized breaker plate design
- Positive screen retention for single or co-extruders
- Screw pull-through design on all sizes

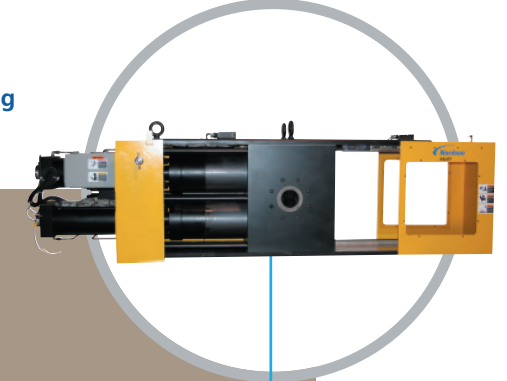
The best filtration solution for processes that do not require continuous operation.



## Continuous Screen Changers

- Increased filtration area
- Lower inlet pressures
- Longer operating time between screen changes
- Maintenance-free seal-less design
- Precise, repeatable screen changes with automated control
- Increased line productivity

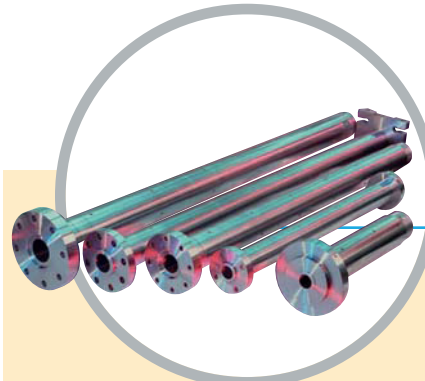
The best filtration solution for maintaining productivity during screen changes.



## Barrels

- Composition: Tungsten carbide particles uniformly dispersed in a corrosion-resistant nickel alloy matrix
- Outstanding resistance to both abrasive wear and corrosion
- Essential for extrusion of hard-to-melt materials such as HMW-HDPE or LLDPE and of highly filled abrasive materials such as those containing 25% or more of mineral fillers (calcium carbonate etc.) or glass fibers
- Resists corrosive attack by aggressive volatiles released by polymers or additives

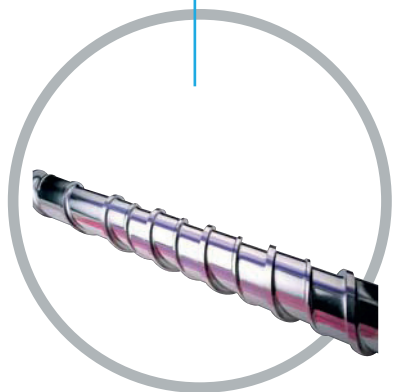
Meet the needs for wear and corrosion resistance for more than 90% of all extrusion requirements.



## Screws

- OEM replacements
- Featuring high performance screw designs
- Optimized processes for all resin applications
- Vented applications and L/D conversions
- Various hardsurfacing materials and coatings available to protect against wear and corrosion

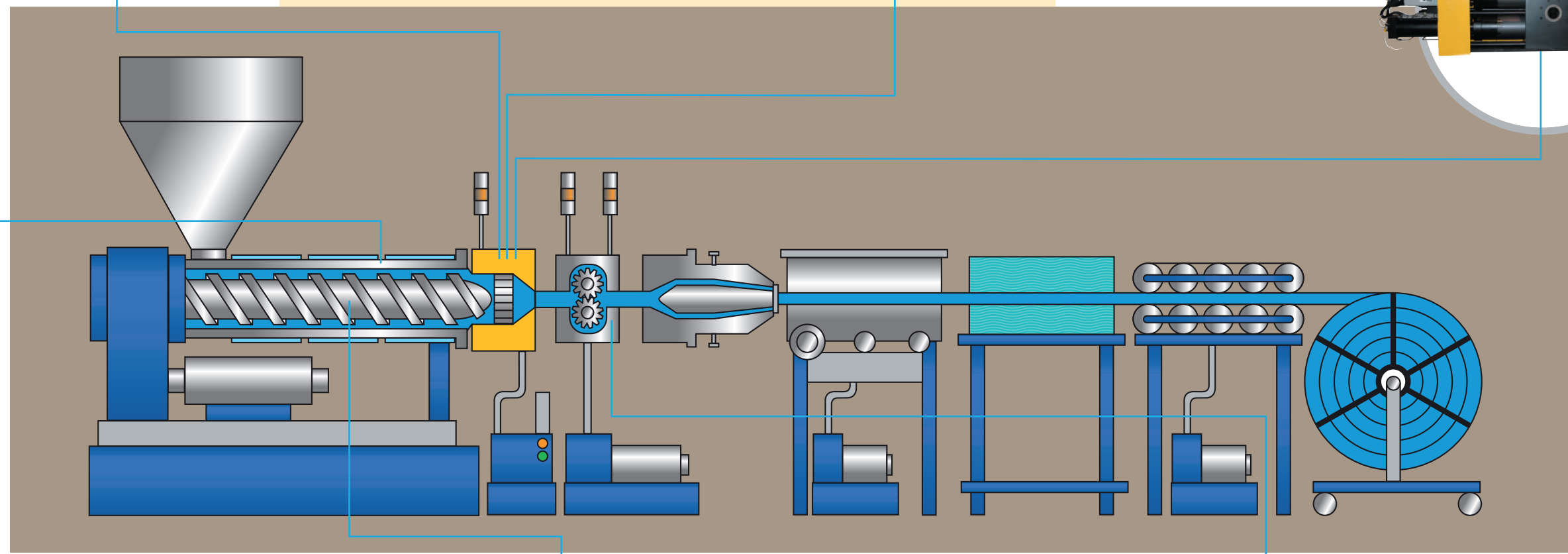
Maximize extrusion throughput, product quality and component life.



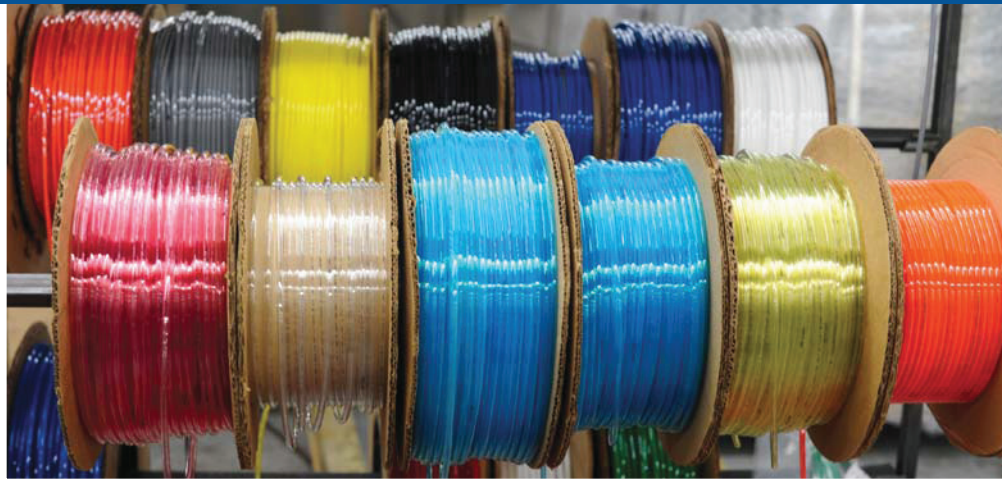
## Gear Pumps

- Precise metering of polymer to the die
- Increased yields - better product from less polymer
- Immediate material savings
- Faster line start-ups
- Ability to run up to 100% regrind with accurate volumetric control
- Lower processing temperatures
- Higher throughputs
- Optimized screw and pump designs for specific polymers

Getting "on-spec" product has never been faster!



# Solutions through Innovation



## Engineered Solutions:

Nordson XALOY systems are designed specifically to optimize your tubing extrusion process and configured to meet your operational needs.

Markets & End Products	Typical Polymers
Aerospace/Aircraft	ABS
Agriculture	BioPlastics
Automotive products	CPVC
CATV	FEP
Conduit	HDPE
Construction	Nylon
Consumer	PEX
Corrugated	PMMA
Fuel Gas	PP
Industrial	PS
Marine	PVB
Medical	
Mining	PVC
Municipal	TPO
Potable Water	TPU
Power Utilities	
Sewer	
Single & Double Layer	
Smoothwall	
Telecommunications	

## Customer Support Services:

### Parts & Repairs:

Whether it's routine preventive maintenance or unexpected failures, Nordson XALOY is prepared to support your needs with:

- Original after-market parts
- Evaluation, rebuild and repair services
- Expedited services when you need immediate repairs

### Technical Services:

Improve productivity and minimize down-time by leveraging Nordson XALOY's technical service expertise.

- Product, process technology and application support
- On-site diagnostic and repair support
- Inspections and preventive maintenance support
- New equipment commissioning & training support
- 24/7 Emergency Support
- Two full time laboratories

