

In today's competitive market, making a superior extruded wire and cable product at maximum productivity levels and the lowest possible cost is paramount in growing your business, increasing profits and meeting your overall business objectives.

Nordson XALOY has over 84 years of experience engineering innovative solutions that specifically enhance the extrusion process. Nordson XALOY manufactures the most technologically advanced barrels, screws, screen changers and gear pumps that are designed specifically to optimize wire and cable production.

Whether it is designing single components or integrating elaborate systems, Nordson XALOY has the ability to provide engineered solutions that take your process to its maximum level of performance.

The production of quality wire and cable products is your business.

Helping optimize your extrusion process is Nordson XALOY's business.

Manual Screen Changers

- Leak free - pressure activated seal technology
- Extruder screw pull through
- Bolt-tough extruder connection
- Space efficient compact design
- Ergonomic three position handle

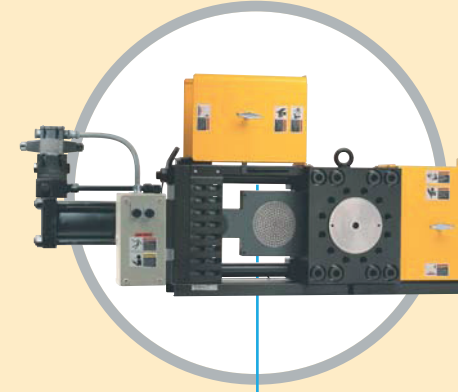
The low cost solution for processes requiring infrequent changes.



Hydraulic Screen Changers

- On-the-fly screen changes in less than a second
- Pressure activated seal technology – guaranteed leak free
- Flexible extruder mounting options for easy installation
- Safety first designs ensure simple, safe operation
- Rheologically optimized breaker plate design
- Positive screen retention for single or co-extruders
- Screw pull-through design on all sizes

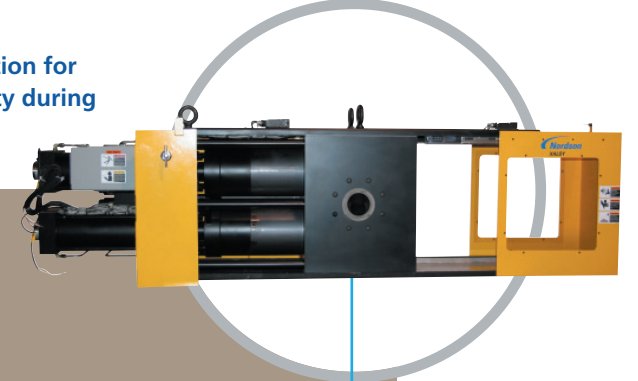
The best filtration solution for processes that do not require continuous operation.



Continuous Screen Changers

- Increased filtration area
- Lower inlet pressures
- Longer operating time between screen changes
- Maintenance-free seal-less design
- Precise, repeatable screen changes with automated control
- Increased line productivity

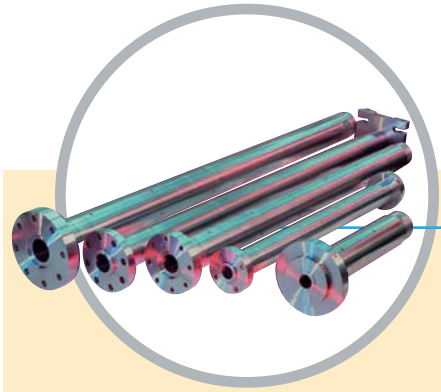
The best filtration solution for maintaining productivity during screen changes.



Barrels

- Composition: Tungsten carbide particles uniformly dispersed in a corrosion-resistant nickel alloy matrix
- Outstanding resistance to both abrasive wear and corrosion
- Essential for extrusion of hard-to-melt materials such as HMW-HDPE or LLDPE and of highly filled abrasive materials such as those containing 25% or more of mineral fillers (calcium carbonate etc.) or glass fibers
- Resists corrosive attack by aggressive volatiles released by polymers or additives

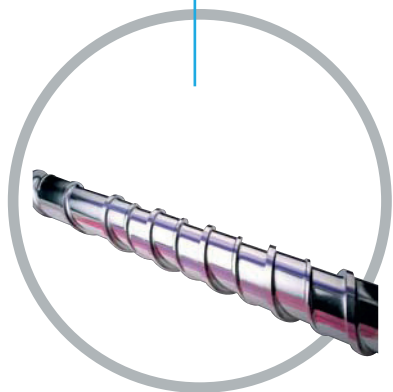
Meet the needs for wear and corrosion resistance for more than 90% of all extrusion requirements.



Screws

- OEM replacements
- Featuring high performance screw designs
- Optimized processes for all resin applications
- Vented applications and L/D conversions
- Various hardsurfacing materials and coatings available to protect against wear and corrosion

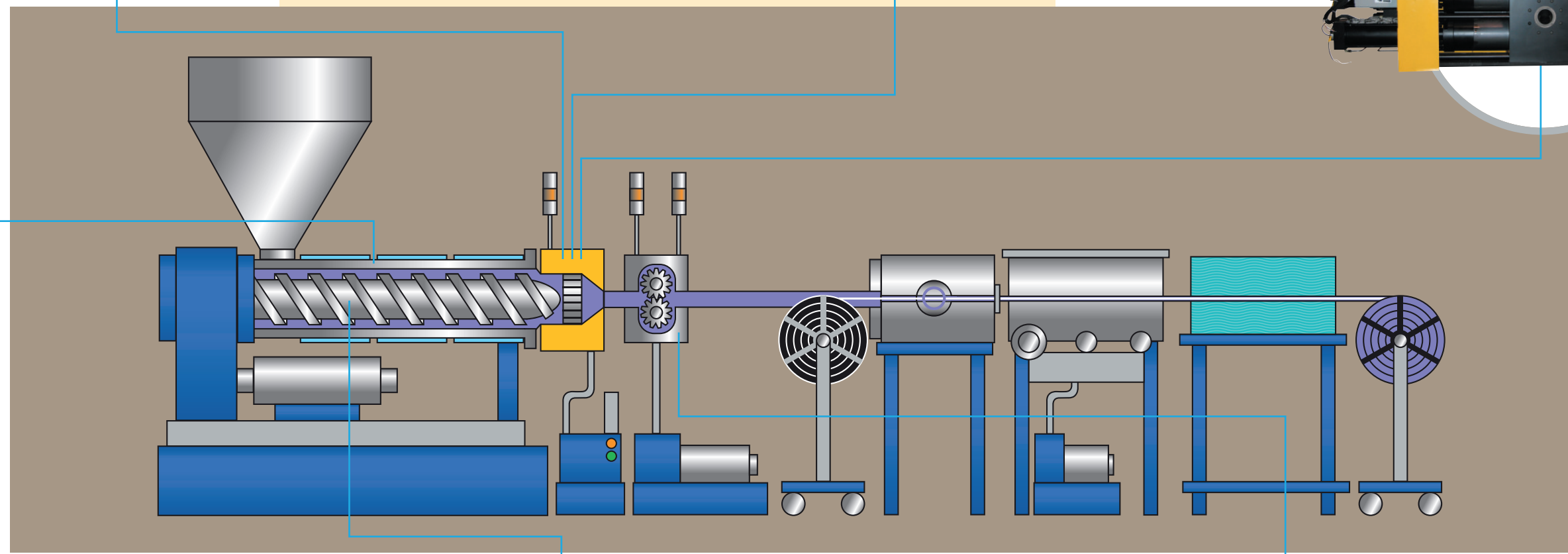
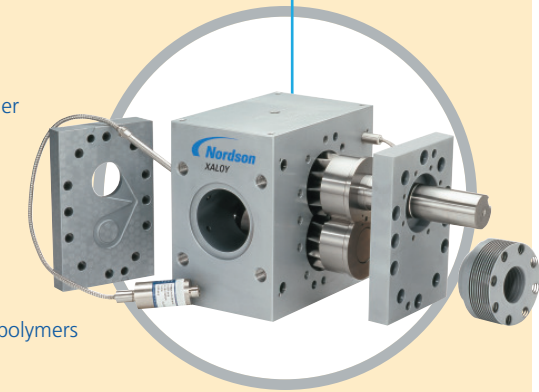
Maximize extrusion throughput, product quality and component life.



Gear Pumps

- Precise metering of polymer to the die
- Increased yields - better product from less polymer
- Immediate material savings
- Faster line start-ups
- Ability to run up to 100% regrind with accurate volumetric control
- Lower processing temperatures
- Higher throughputs
- Optimized screw and pump designs for specific polymers

Getting "on-spec" product has never been faster!



Solutions through Innovation



Engineered Solutions:

Nordson XALOY systems are designed specifically to optimize your wire and cable extrusion process and configured to meet your operational needs.

Markets & End Products	Typical Polymers
Automotive	ABS
Building Wire	Asphalts
Coaxial Cables	CPE
Construction	EPDM
Control & Instrumentation	EPM
Fiber Optics	Epoxies
Marine Cables	FEP
Microwave Towers	Foamed PE
Plenum	Foamed PP
Power & Control Cables	PE
Telecommunications	PEEK
Undersea & Submarine	PMMA
	PP
	PS
	PTFE
	PU
	PVC
	SBR
	Silicones
	SIR

Customer Support Services:

Parts & Repairs:

Whether it's routine preventive maintenance or unexpected failures, Nordson XALOY is prepared to support your needs with:

- Original after-market parts
- Evaluation, rebuild and repair services
- Expedited services when you need immediate repairs

Technical Services:

Improve productivity and minimize down-time by leveraging Nordson XALOY's technical service expertise.

- Product, process technology and application support
- On-site diagnostic and repair support
- Inspections and preventive maintenance support
- New equipment commissioning & training support
- 24/7 Emergency Support
- Two full time laboratories

